



Tecumseh

Celseon® Air Cooled Condensing Unit

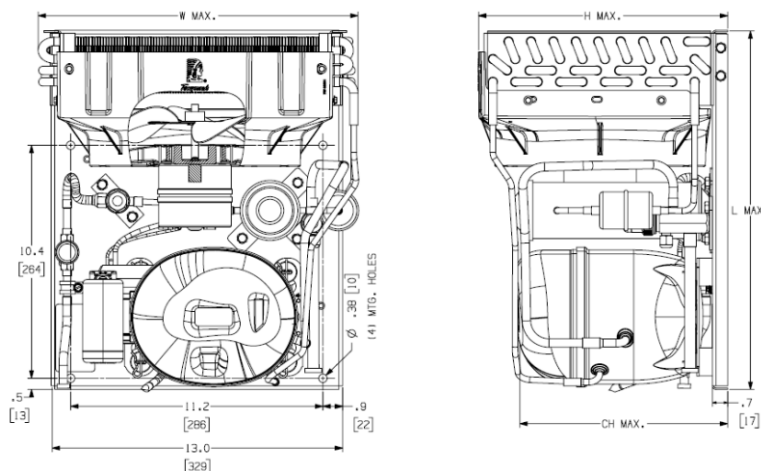


Model: AE4450E-DS1BD*

BoM: 2G239-**

R-22

1/2 HP



Model	Dimensions, inches				Line Connection*		Pumpdown	Air	Oil Ch	Gr. Wt.
	L	W	H	CH	Suction	Liquid	90 °F 90%	SCFM	Oz.	Lbs.
AE4450E-DS1BDA	16.0	14.3	11.1	9.3	5/16" S	1/4" S	N/A	185	13.1	39
AE4450E-DS1BDG					1/2" S	3/8" S	2.9 lbs			41
AE4450E-DS1BDH					1/2" S	3/8" S	N/A			39
AE4450E-DS1BDK					5/16" S	1/4" S				39
AE4450E-DS1BDC					1/2" S	3/8" S	2.9 lbs			41
AE4450E-DS1BDS					1/2" S	3/8" S	N/A			39
AE4450E-DS1BDJ					1/2" S	3/8" S	2.9 lbs			41
AE4450E-DS1BDP					1/2" S	3/8" S	2.9 lbs			41

* F = Flare, S = Solder, RF or RS = Rotolock with Flare or Solder Connections, C = Compression Fitting

Factory charge: 20 PSIG Nitrogen – **MUST BE EVACUATED**

Ambient Temperatures

Evaporator T,		80°F			90°F			100°F			110°F		
°F	PSIG	BTUH	Watts	Cond T	BTUH	Watts	Cond T	BTUH	Watts	Cond T	BTUH	Watts	Cond T
-10	16.7	1780	350	96	1650	350	105	1500	360	113	1350	360	122
-5	20.3	2000	370	98	1850	380	107	1700	380	115	1540	390	124
0	24.2	2250	390	100	2090	400	109	1930	410	117	1760	410	126
5	28.5	2540	410	102	2370	420	111	2190	440	119	2020	440	128
10	33.0	2860	440	105	2670	450	113	2480	460	121	2290	480	130
15	38.0	3200	460	107	3000	480	116	2790	490	124	2590	510	132
20	43.3	3560	490	110	3340	510	118	3120	520	126	2900	540	134
25	49.0	3930	510	113	3690	530	121	3450	550	128	3220	570	136
30	55.2	4300	540	116	4040	560	123	3780	590	131	---	---	---
35	61.7	4670	570	119	4390	600	127	4110	620	134	---	---	---
40	68.8	5030	600	122	4730	630	130	4430	650	137	---	---	---

60 Hz Performance

Return gas temp 40°F below 20°F evaporator,
and 65°F above 20° evap, 5°F sub cooling

Specifications/ Parts:

Unit Model	AE4450E-DS1BDA
Unit Bill of Material	2G239-09
Refrigeration Range	-10° F to 45° F
Design Pressure Low	150
Design Pressure High	450
Nominal Volts-Hz-Ph	115/60/1
Voltage Range	103-127
Min. Circuit Ampacity	9.2
Max. Fuse Size (amps)	15
Compressor Model	AE4450E-DS1B
Comp. Bill of Material	AE1363E-209-J7
Compressor RLA/LRA	7.1/42.5
Overload	830-10316
Relay	820-10207
Run Capacitor	N/A
Start Capacitor	85PS165E16
Fan Motor	810-10001
Fan Motor RLA	.38
Fan Blade	515-10002
Fan Shroud/Guard Combo	707-00004
Condenser	506-10035
Unit Drawing	DGU1972-02
Wiring Diagram	91266-01
Replacement Kit: Relay	K71-73
Replacement Kit: O/L	K90-93
Replacement Kit: St. Cap	K146-55

Unit Model	AE4450E-DS1BDG
Unit Bill of Material	2G239-19
Receiver Tank	510-10000
Liquid Valve	56659
Suction Valve	56663
Unit Model	AE4450E-DS1BDH
Unit Bill of Material	2G239-29
Liquid Valve	56659
Suction Valve	56663
Unit Model	AE4450E-DS1BDK
Unit Bill of Material	2G239-39
Power Cord	85106-14
Unit Model	AE4450E-DS1BDC
Unit Bill of Material	2G239-59
Receiver Tank	510-10000
Liquid Valve	56659
Suction Valve	56663
Power Cord	85106-14
Unit Model	AE4450E-DS1BDS
Unit Bill of Material	2G239-69
Liquid Valve	56659
Suction Valve	56663
Power Cord	85106-14
Unit Model	AE4450E-DS1BDJ
Unit Bill of Material	2G239-79
Receiver Tank	510-10000
Liquid Valve	56659
Suction Valve	56663
Filter Drier	71116
Sight Glass	70084
Unit Model	AE4450E-DS1BDP
Unit Bill of Material	2G239-89
Receiver Tank	510-10000
Liquid Valve	56659
Suction Valve	56663
Power Cord	85106-14
Filter Drier	71116
Sight Glass	70084

Electrical Diagram Page 3

