



**A Brand of Heatcraft Refrigeration Products**  
 2175 West Park Place Boulevard  
 Stone Mountain, GA 30087  
 800.537.7775  
 www.coldyoucancounton.com

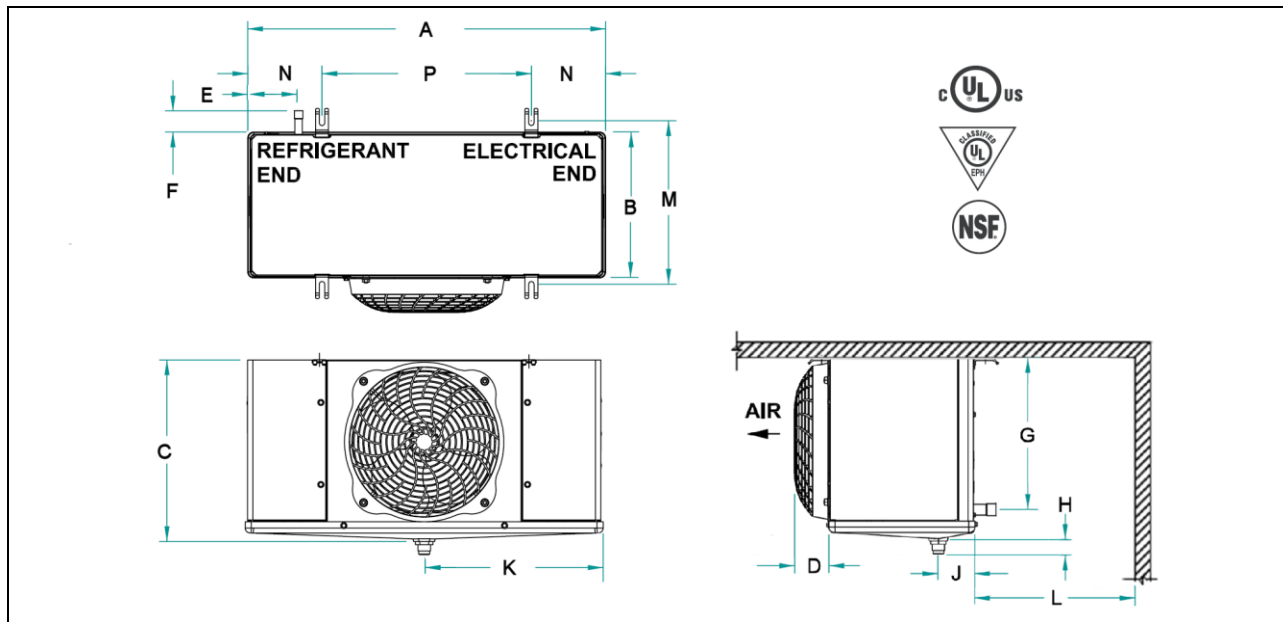
**LSC065SK**  
**Low Profile**  
**Walk-In**

Project:	QUOTATION:
Location:	Submitted by:
Customer:	DATE:
Identity #:	<input checked="" type="checkbox"/> For Record By: _____
Tag:	<input type="checkbox"/> For Approval Date: _____

**PHYSICAL & ELECTRICAL DATA**

DEFROST TYPE	AIR FLOW	VOLTAGE	CAPACITY	RATING TD	RATING SST	Approx. NET WEIGHT	ALTITUDE
Air	650	115/1/60	6500	10	23	34	0 ft.

FANS				HEATERS		CONNECTIONS (inches)		
QTY	FLA	MOTOR TYPE	BLADE	AMPS	WATTS	INLET	OUTLET	DRAIN
1	1	PSC	12.0			1/2	7/8	3/4



DIMENSIONS (inches)											
A	B	C	D	E	F	G	H	J	K	L	M
29.50	12.00	14.94	2.88	4.19	1.75	12.38	1.06	3.00	14.75	18.00	13.44

DIMENSIONS (inches)								
N	P	R	S	T	U	V	X	Y
6.13	17.25	0.00	0.00	0.00	0.00	0.00	0.00	0.00

**STANDARD FEATURES**



**A Brand of Heatcraft Refrigeration Products**

2175 West Park Place Boulevard  
 Stone Mountain, GA 30087  
 800.537.7775  
 www.coldyoucancounton.com

**LSC065SK**

**Low Profile  
 Walk-In**

Project:	QUOTATION:
Location:	Submitted by:
Customer:	DATE:
Identity #:	<input checked="" type="checkbox"/> For Record By: _____
Tag:	<input type="checkbox"/> For Approval Date: _____

- Cabinet**
- Aluminum textured panels
  - Front Access to electrical and refrigeration components
  - Small, low profile physical cabinet size with optimized interior space
  - The electrical board is front facing for easy access
  - Internal panels are isolated for quiet operation
  - Liquid line solenoid wire harness factory installed for quick installation
  - Pre-drilled holes on the back of the unit for room thermostat and controls
- Drain Pan:**
- Drain fitting is located to the back of the unit with larger diameter

- Coil:**
- Internally enhanced copper tubing and aluminum fin design for higher efficiency
  - Schrader valve on suction header
  - Sweat connections to reduce potential for leaks
- Fan Guards and Motors:**
- Improved plastic, round guard design
  - Motor harness and solenoid harness are at the bottom of the unit for easy access
  - Motor harness easily plugs in
  - EC motors available factory-installed

**OPTIONS**

**Mounted Options:**

<input checked="" type="checkbox"/> Motor: PSC	<input checked="" type="checkbox"/> Coil: TXV and LLSV
<input checked="" type="checkbox"/> Guard: Plastic	

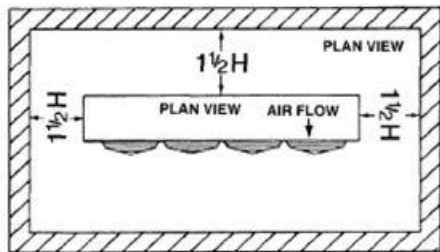
**Ship Loose Options (by Unit):**

None	
------	--

**Ship Loose Options (by System):**

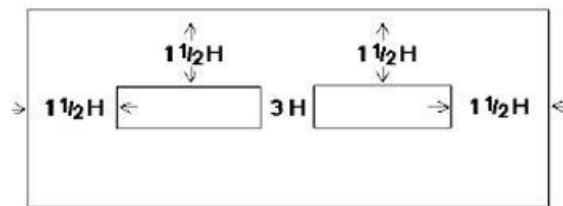
None	
------	--

**MINIMUM UNIT CLEARANCES**



One evaporator

**NOTE:**  
 H = Total height  
 evaporator  
 coil surface.



Two evaporators