



A Brand of Heatcraft Refrigeration Products
 2175 West Park Place Boulevard
 Stone Mountain, GA 30087
 800.537.7775
 www.coldyoucancounton.com

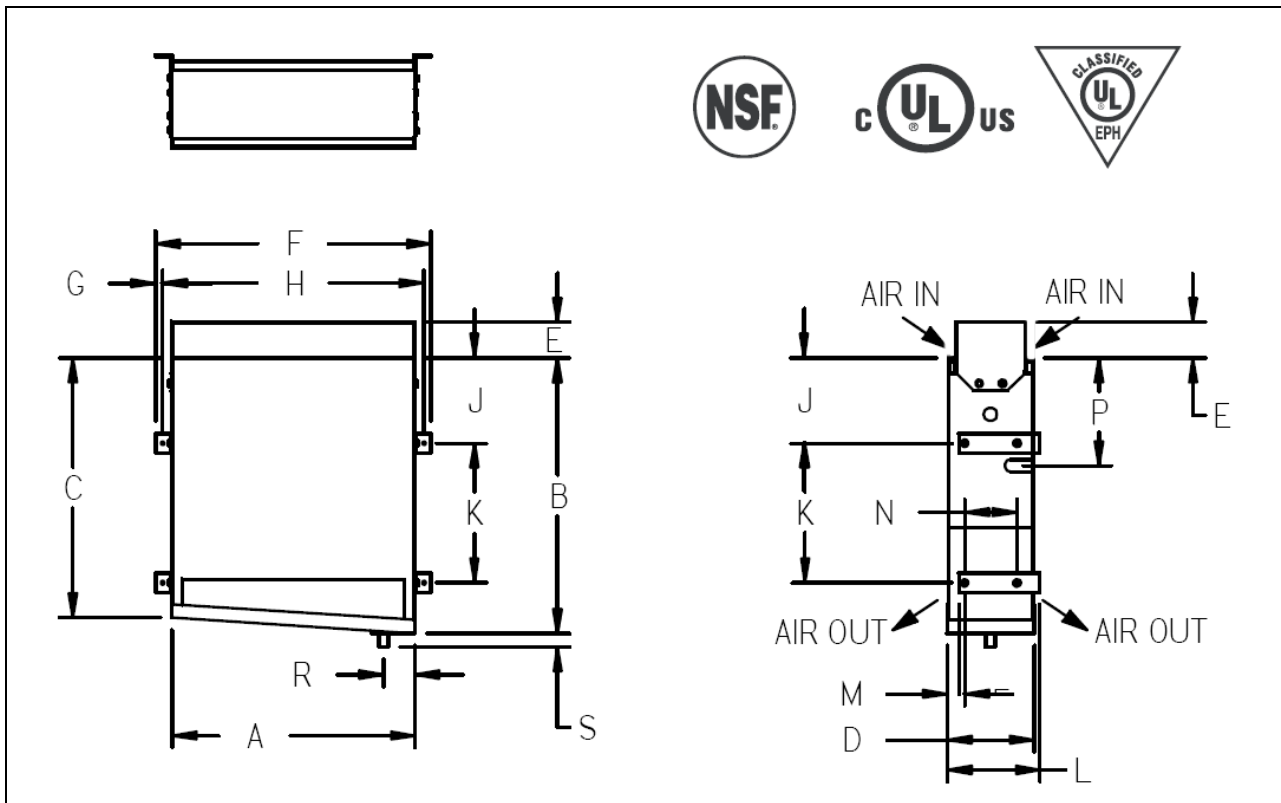
RAMK13AG
 Mullion
 Reach-In

Project:	QUOTATION:
Location:	Submitted by:
Customer:	DATE:
Identity #:	<input checked="" type="checkbox"/> For Record By: _____
Tag:	<input type="checkbox"/> For Approval Date: _____

PHYSICAL & ELECTRICAL DATA

DEFROST TYPE	AIR FLOW	VOLTAGE	CAPACITY	RATING TD	RATING SST	Approx. NET WEIGHT	ALTITUDE
Air	180	115/1/60	1300	10	23	15	0 ft.

FANS				HEATERS		CONNECTIONS (inches)		
QTY	FLA	MOTOR TYPE	BLADE	AMPS	WATTS	INLET	OUTLET	DRAIN
2	1.6	Shaded Pole	5.0			3/8	5/8	5/8



DIMENSIONS (inches)											
A	B	C	D	E	F	G	H	J	K	L	M
15.81	17.75	16.13	5.62	3.21	17.62	0.37	16.88	4.56	9.06	6.00	1.12

DIMENSIONS (inches)



A Brand of Heatcraft Refrigeration Products
 2175 West Park Place Boulevard
 Stone Mountain, GA 30087
 800.537.7775
 www.coldyoucancounton.com

RAMK13AG
Mullion
Reach-In

Project:	QUOTATION:
Location:	Submitted by:
Customer:	DATE:
Identity #:	<input checked="" type="checkbox"/> For Record By: _____ <input type="checkbox"/> For Approval Date: _____
Tag:	

N	P	R	S	T	U	V	X	Y
3.37	6.00	2.00	0.87	0.00	0.00	0.00	0.00	0.00

STANDARD FEATURES

- Light grained aluminum cabinets
- PVC coated fan guard
- Room for expansion valve inside the unit
- Motors are thermally protected and permanently lubricated
- Stainless steel hardware
- Plate type aluminum fins with full collars on expanded copper tubes
- Coils are dehydrated and sealed
- Optional coated coil available for optimum protection in corrosive environments
- Internal junction box with pigtail leads for electrical connection
- Sweat inlet connection to reduce leaks (flare connection available as a ship loose option)
- Coils are dehydrated and sealed
- Plate type aluminum fins with full collars on expanded copper tubes

OPTIONS

Mounted Options:

None	
------	--

Ship Loose Options (by Unit):

None	
------	--

Ship Loose Options (by System):

None	
------	--

MINIMUM UNIT CLEARANCES



A Brand of Heatcraft Refrigeration Products
 2175 West Park Place Boulevard
 Stone Mountain, GA 30087
 800.537.7775
 www.coldyoucancounton.com

RAMK13AG

Mullion
 Reach-In

Project:	QUOTATION:
Location:	Submitted by:
Customer:	DATE:
Identity #:	<input checked="" type="checkbox"/> For Record By: _____
Tag:	<input type="checkbox"/> For Approval Date: _____

